

Behandlingsfront

c/c stolper

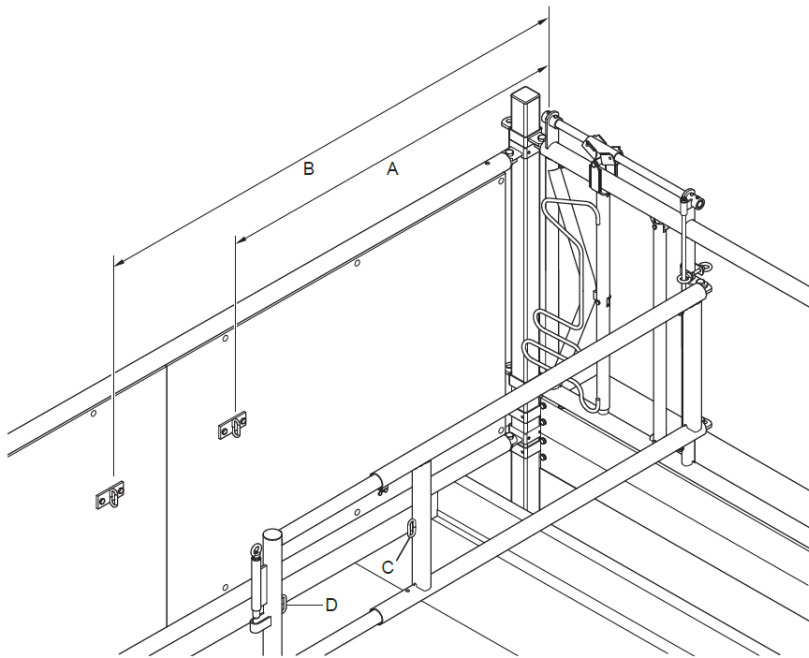
Measurements for each feed fence installation type

Position of the fence	Length of frame	Minimum c/c	Maximum c/c	Nominal c/c	From centre of post to centre of fitting hole	A (Minimum length)	A (Maximum length)	Adjust +/-
In front	2260	2350	2450	2400	24.5	20.5	70.5	50
	2860	2950	3050	3000	24.5	20.5	70.5	50
In between	2260	2460	2610	2535	74	26	101	75
	2860	3060	3210	3135	74	26	101	75

Når plassert mellom stolper, bør det legges til 135 mm til c/c-avstand

Behandlingsfront

Plassering av veggfester



- A: Distance between the wall bracket and treatment front for animals with shorter bodies
- B: Distance between the wall bracket and treatment front for animals with longer bodies
- C: Fixation point on the female part of the telescopic gate
- D: Fixation point on the male part of the telescopic gate

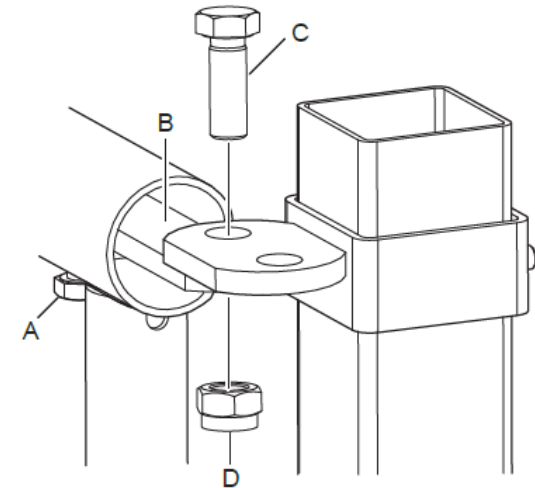
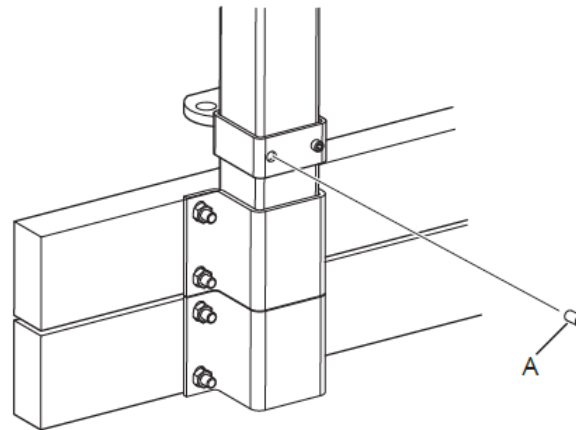
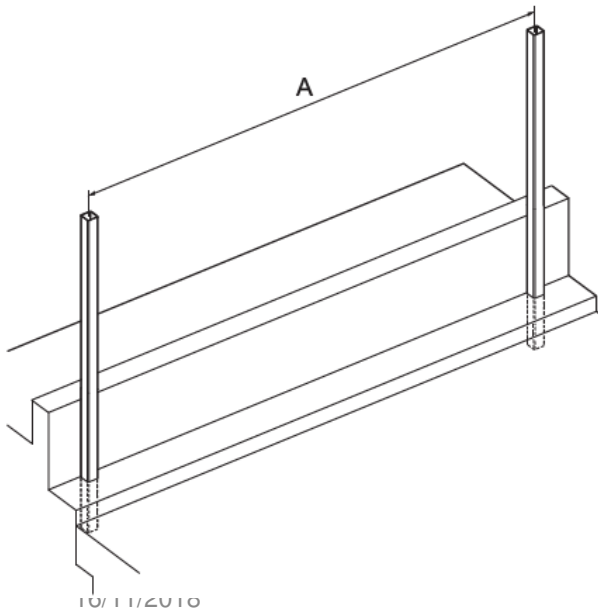
Dimensions for placement of the wall brackets

Animal size (kg)	Frame length of the treatment front (mm)	C (mm)	Average body length of Holstein Friesian dairy cows according to their body weight *
Young stock 150-250	2260	850	1170
	2860	1350	
Heifer 250-400	2260	850	1350
	2860	1350	
Cow 400-500	2260	850	1470
	2860	1350	
Cow 500-650	2260	850	1690
	2860	1350	
Cow 650-750	2260	850	1750
	2860	1350	
Cow >750	2260	850	1800
	2860	1350	

Montering

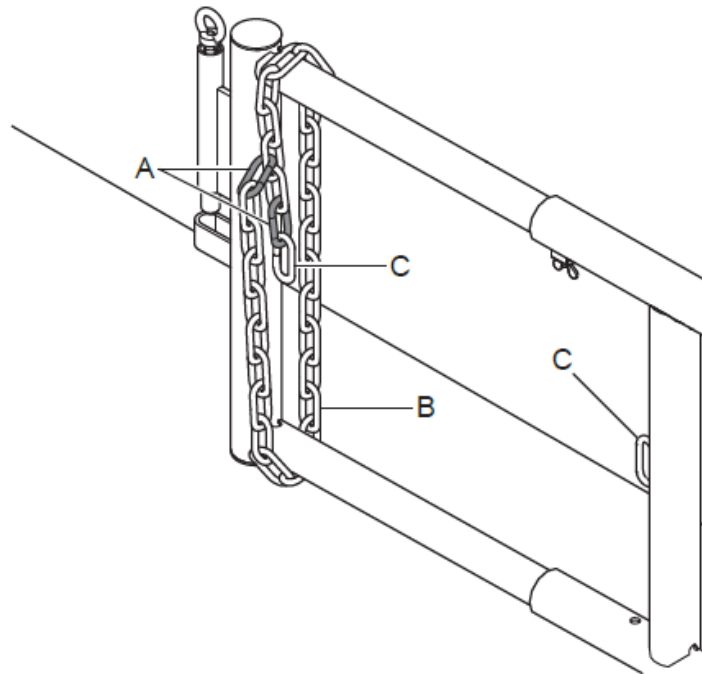
Behandlingsfront

- Montering er lik montering av ferdigmontert HL50 og HLS50. Fronten kommer montert fra fabrikk.



Behandlingsfront

Montering av kjetting

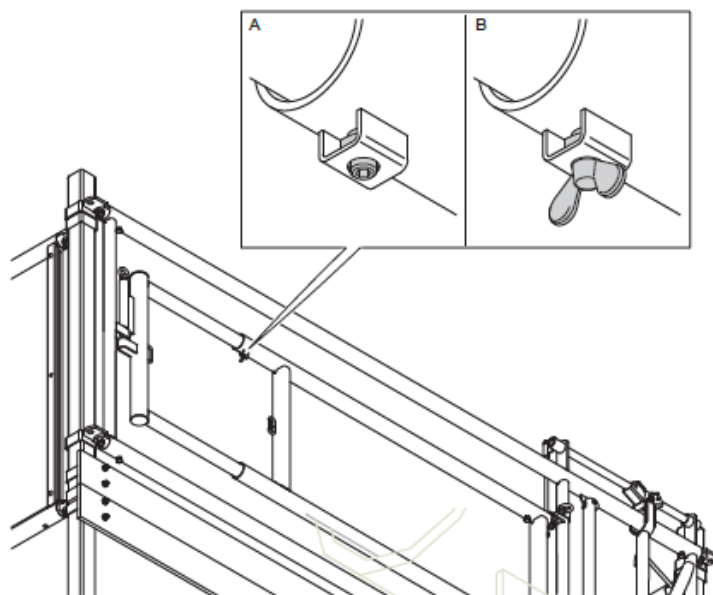


- A: Snap hooks 8.0 x 80
- B: Chain, 35 links = 1225 mm
- C: Attachment points

27104

Behandlingsfront

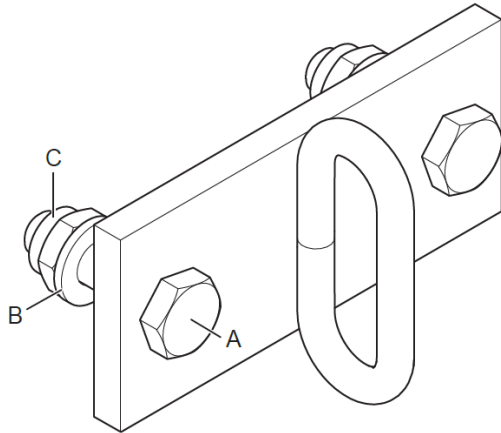
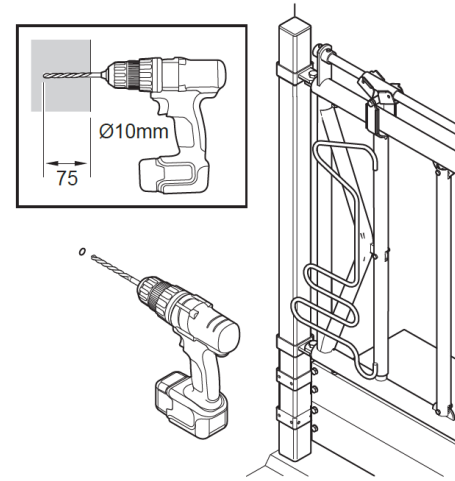
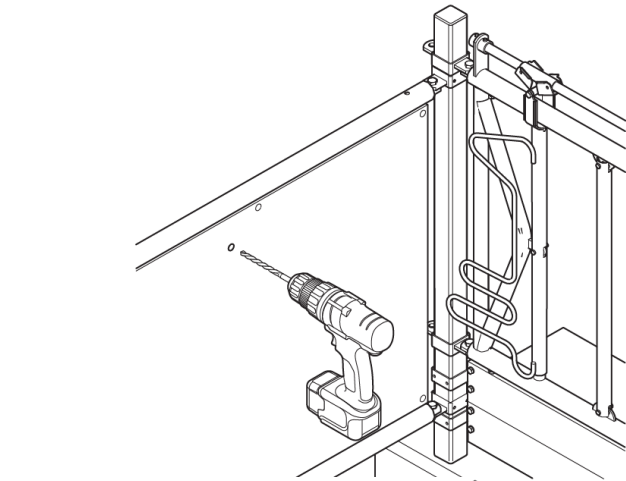
Montering av vingemutter



- A: Stop screw M10 x 20
- B: Wing screw M10 x 25

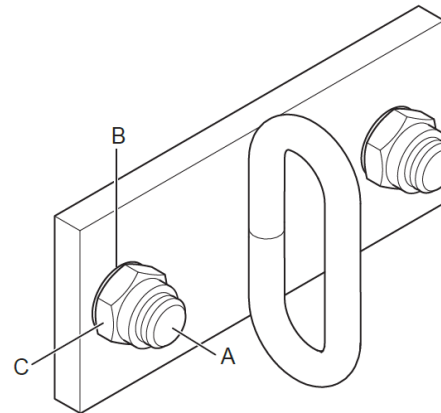
Behandlingsfront

Montering av veggbraketter



- A: Screw M10 x 40 HDG
- B: Washer M10
- C: Nut M10 HDG

10/11/2010



- A: Wedge anchor bolt M10 x 90 mm HDG
- B: Washer M10
- C: Nut M10 HDG

Behandlingsfront

I bruk:

